

Сдерживающие решения, предотвращающие нападения на наличные деньги

Secure Technologies preventing crime by removing the anticipated reward

Kazan, October 13th , 2015



The information included in this document are confidential and the property of OBERTHUR CASH PROTECTION.

This document contains valuable proprietary information and/or intellectual property of OBERTHUR CASH PROTECTION.

The Receiving Party shall keep the information contained in this document confidential and shall use all reasonable efforts to preserve its secrecy and confidentiality, and shall not disclose such Confidential Information to any third party.

It is prohibited to copy, reproduce, re-publish, modify, or forward information in this document without the prior written permission of OBERTHUR CASH PROTECTION.

©2015 Oberthur Cash Protection

All rights reserved. Specifications and information are subject to change without notice. The products described in this document are subject to continuous development and improvement. All trademarks and service marks referred to herein, whether registered or not in specific countries, are the properties of their respective owners.





- Oberthur Cash Protection
- Cash and Valuables Logistics:
A very severe environment
- Proposed Solutions to the
Industry
 - CIT
 - ATM
 - Retail



Privately owned Company – Headquarters in Paris

**OBERTHUR
FIDUCIAIRE**



Banknote printing

**OBERTHUR
CASH PROTECTION**



Security Solutions

**OBERTHUR
TECHNOLOGIES**



**Smart Cards
(partial)**



Oberthur Cash Protection sites



Dundee, Scotland: ATM expertise Centre



Paris, France: Headquarters & Sales

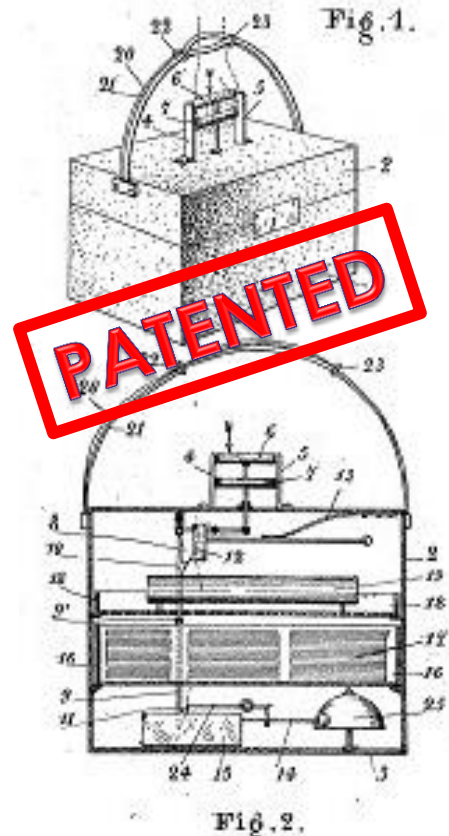


Dijon, France: Factory





Robberies are not a new concept



Preventing attacks thanks to Technology has also years of age

- 1st Patent in 1929
- OCP 1st Patent 1985
- OCP 1st Industrial application 1990



- **The Industry Pioneer: > 30** years of experience
- **> 50 000** CIT cases in daily use.
- **> 8 000** ATM's protected all over the world
- Systems deployed in **> 30** countries



Proud of our Partners and Customers



CASH AND VALUABLES LOGISTICS: A VERY SEVERE ENVIRONMENT





ATM Security A Public Concern



PROPOSED SOLUTIONS FOR CIT, ATM AND RETAIL



ATV



A system designed for efficiency in cash operations with large volumes

Capacity up to 3'000 bank notes

Great variety of complimentary equipments

RS12



A system designed for tough environmental conditions

Capacity up to 12'000 bank notes

Available as ATM -, Collect- , Residential - and Cash Container

CC



A system designed for high frequency cross pavement operations

Capacity up to 6'000 bank notes

Multi Collection



Designed for multi collection with no access to previous deposits

Capacity up to 8.000 notes.

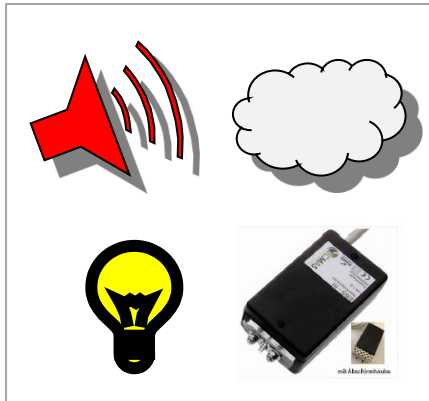




ICSD



Accessories



AIMS



CCB



In-Cassette Staining Device - all in lid

No reduction in note capacity,

Available for NCR / Wincor Nixdorf / Diebold / Talaris / Fujitsu / Hyosung / Oki

Siren

Stroboscopic light

Smoke

Seismic

Gas Inhibition

...

Monitoring

Upper Box protection

Safe opening authorization

....

Transport Bag for 2 to 4 cassettes

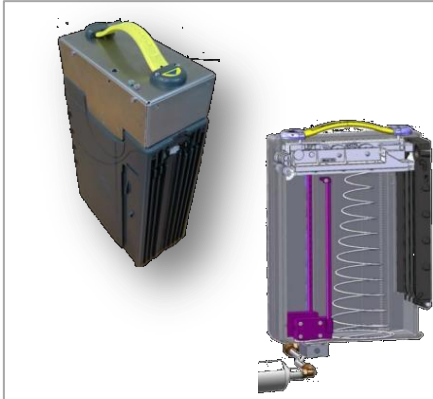
Light and robust

Cross-Pavement or E2E applications





ICSD/IMSD



In-Cassette or In
Machine Staining
Device

No reduction in note
capacity,

Available for MEI
CashFlow cassettes
and JCM cassettes

Cash Deposit Machines



Cash Deposit Machine

Automatic Banknote Validation

Automated Banknote counting and balancing

Ink protected





Designed for small retail:

- Various sizes available
- Notes packed in Sealbags
- **Ink protection** against various attacks
- **Foam protection** in case of jewelries / coins



EXAMPLES OF LIVE APPLICATIONS





Latin America & USA



Europe



OBERTHUR CASH PROTECTION

3 BIS, RUE DU DOCTEUR QUIGNARD
21079 DIJON, FRANCE

TEL.: +33 3.80.60.43.00
FAX: +33 3.80.70.08.92

7, AVENUE DE MESSINE
75 008 PARIS, FRANCE

TEL.: +33 1.42 99 77 00

PROSPECT BUSINESS CENTRE
DUNDEE TECHNOLOGY PARK
SCOTLAND DD2 1TY

TEL.: +44 13.82.56.11.55



info@oberthurcp.com www.oberthurcp.com

